

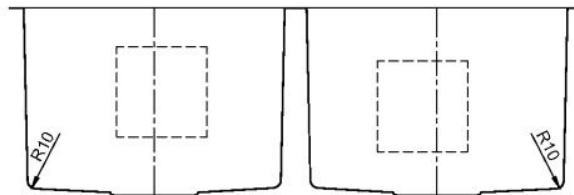
Kitchen Sink, Double Bowl, Insert Type

Product Specification

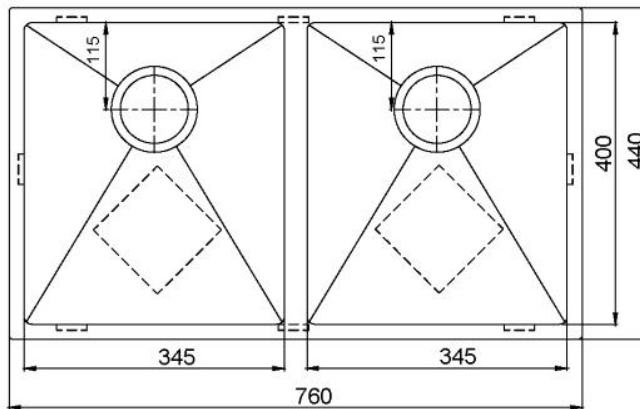
- Dimension : 760(L) x 440(W) x 250(H)mm
- Material : Stainless steel 304, thk.1.2mm



Technical Drawing



FRONT VIEW



TOP VIEW

Rev	0.2
Date	13.04.2021